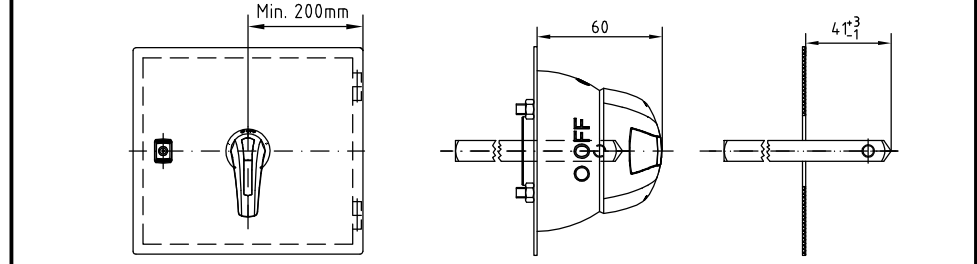
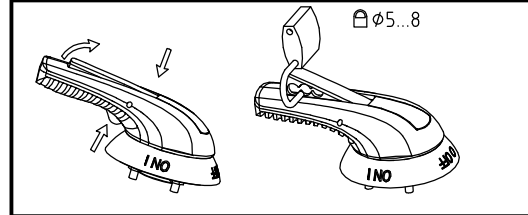
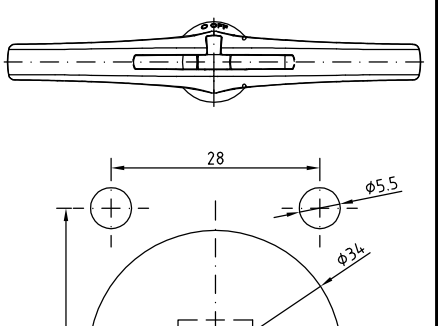
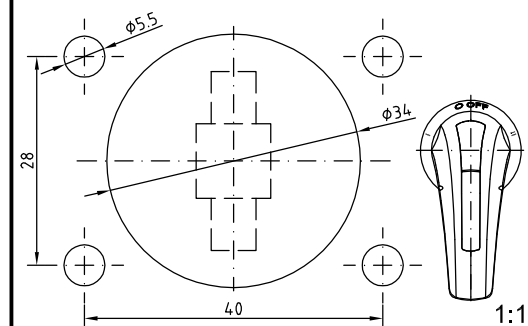
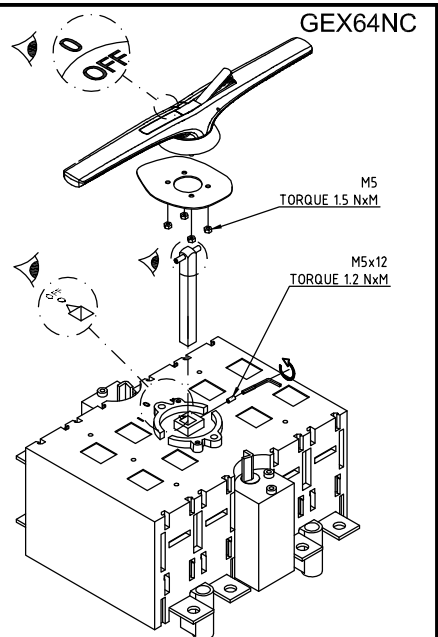
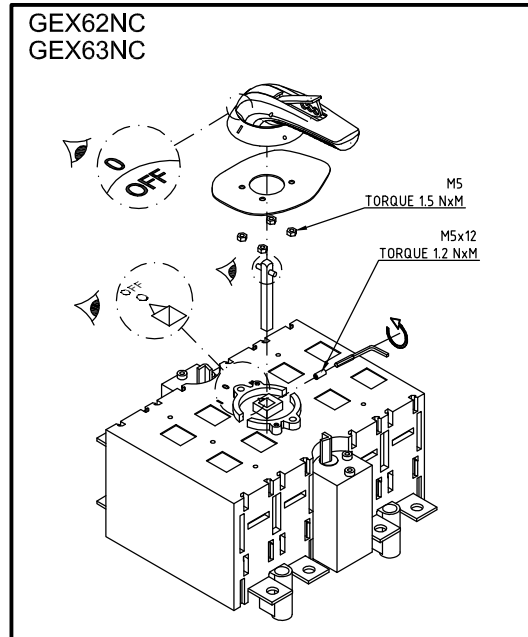
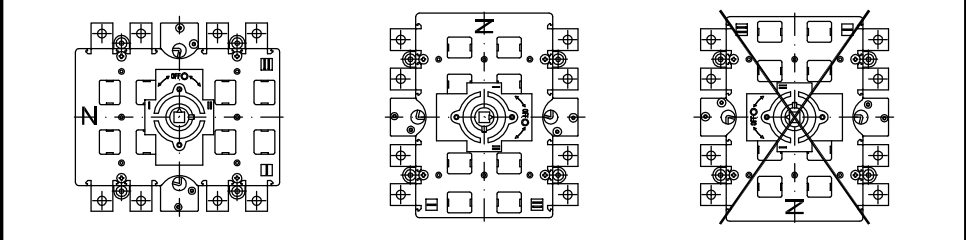
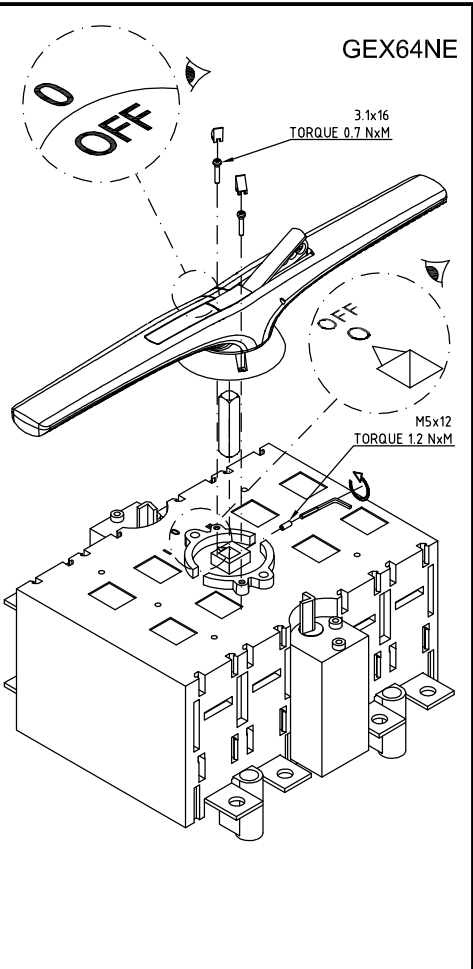
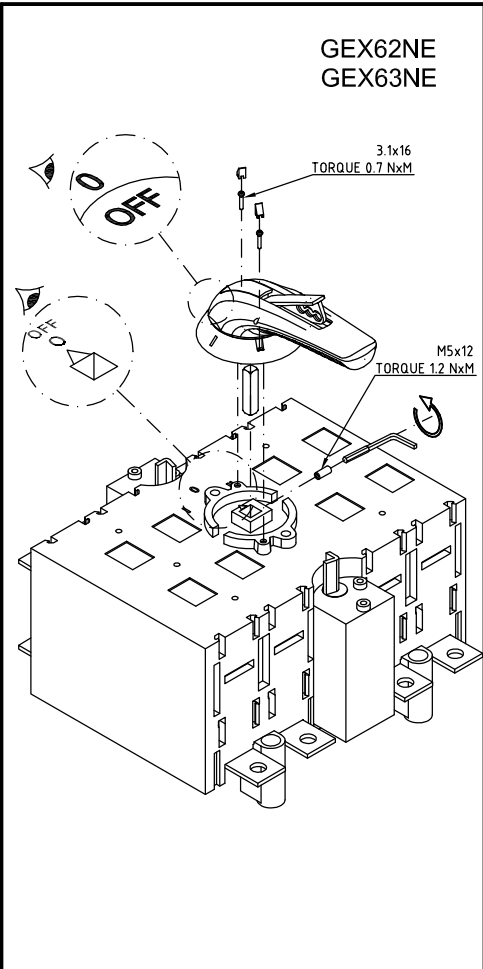
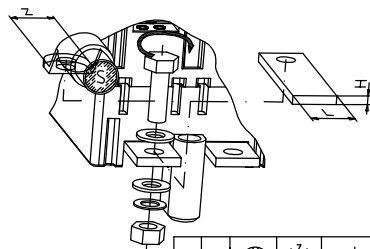
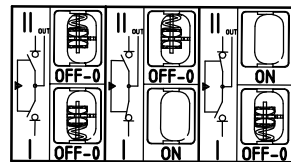
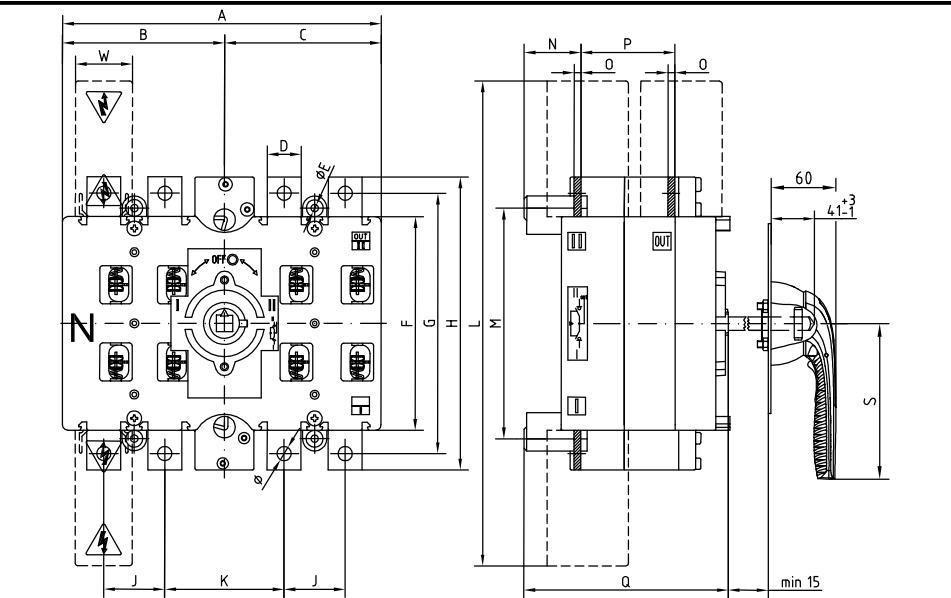


- ① ISTRUZIONI DI MONTAGGIO
- GB ASSEMBLY INSTRUCTIONS
- D ANWEISUNG
- E INSTRUCCIONES DE MONTAJE

GE0201E...GE1250E... - GE201E...T4...GE1250...T4
GEX62NE...GEX64NE - GEX62NC...GEX64NC





| Code | I _m | A | | C | D | E | F | G | H | J | K | L | M | N | O | P | Q | S | U | V | φ | W | T | M | S max. (Cu) mm | Z max. (Cu) mm | H max. L max. (Cu) mm (Cu) mm | |
|---------|----------------|-------|-------|-------|-----|-----|-----|-----|-----|-----|-----|-----|-----|-----|---|----|-----|------|-----|------|------|-----|-----|----|-------------------|-------------------|----------------------------------|--------|
| | | 3P 4P | 3P 4P | | | | | | | | | | | | | | | | | | | | | | | | H max. | L max. |
| GE0201E | 200A | 235 | 119.5 | 115.5 | 25 | 5.5 | 157 | 192 | 216 | 4.5 | 88 | 357 | 170 | 4.2 | 3 | 67 | 151 | 14.3 | 133 | 14.2 | 10.5 | 4.2 | M10 | 24 | 24.0 | 31 | 2×5 | 30 * |
| GE0250E | 250A | | | | | | | | | | | | | | | | | | | | | | | | | | | |
| GE0315E | 315A | | | | | | | | | | | | | | | | | | | | | | | | | | | |
| GE0400E | 400A | 321 | 162 | 159 | 4.0 | 7 | 232 | 282 | 312 | 65 | 121 | 482 | 247 | 4.6 | 5 | 87 | 180 | 176 | 186 | 171 | 12.5 | 5.9 | M12 | 45 | 2×24.0 | 45 | 2×6 | 45 |
| GE0500E | 500A | | | | | | | | | | | | | | | | | | | | | | | | | | | |
| GE0630E | 630A | | | | | | | | | | | | | | | | | | | | | | | | | | | |
| GE0800E | 800A | | | | | | | | | | | | | | | | | | | | | | | | | | | |
| GE1000E | 1000A | 4.24 | 210 | 214 | 5.0 | 9 | 295 | 375 | 419 | 85 | 163 | 595 | 315 | 5.7 | 6 | 88 | 208 | 396 | 248 | 199 | 14.5 | 7.3 | M14 | 55 | - | - | 2×10 | 60 |
| GE1250E | 1250A | | | | | | | | | | | | | | | | | | | | | | | | | | | |

ATTENZIONE!! Questo apparecchio deve essere installato da personale qualificato, nel rispetto delle vigenti normative impiantistiche allo scopo di evitare danni a persone o cose. Per gli esatti limiti d'impiego consultare il catalogo.

WARNING!! This equipment is to be installed by qualified persons, to prevent damages or safety hazards. Refer to our catalogue for the correct operational limits.

ACHTUNG!! Um Personen- und Sachschaden zu vermeiden darf dieses Gerät nur von fachkundigen Personal, unter Berücksichtigung der jeweils geltenden Vorschriften, installiert werden. Für der Arbeitsbereich-Werte bitte in Katalog nachschauen.

ATENCIÓN!! Este aparato debe ser instalado por personal cualificado, respecto a la normativa de instalación vigente, con la finalidad de evitar daños a personas y cosas. Para verificar los límites exactos de empleo consultar el catálogo.